

Modulus Flip Tables.

Modulus flip table frames are the industry leaders. Strong, AFRDI certified and flexible. The polished foot is excellent for training spaces that have dirty workwear – meaning a hardy, easy clean finish in all the right places.

Features

Universal leg style that supports many table designs

Distinctive A-shaped rail and socket system securely locks the table together & gives immense strength

Single & twin post options for boardrooms with single, or double or triple span

Frames finished in Matt Black powdercoat with Polished Alloy feet, collars and connectors

Strong flip mechanism with safety stay upright locks.

Stylish cast aluminium feet ensures the 140kg load rating for long term durability with frequent use.

Two lockable swivelling 70mm heavy duty castors.

Colour Options

Stocked Options



Requested Options



Frame



Black



Modulus Single Post - Fixed Leg



Modulus Four Post - Fixed Leg



Modulus Single Post - Collar Leg Single Span

Modulus Flip Dimensions

| | |
|---------------|---------------|
| Ø 1200 mm | 1600 x 750 mm |
| 1200 x 600 mm | 1800 x 600 mm |
| 1200 x 750 mm | 1800 x 750 mm |
| 1500 x 600 mm | 1800 x 900 mm |
| 1500 x 750 mm | 2100 x 900 mm |
| 1600 x 600 mm | |



Modulus Flip Table.

Additional Frame Details

Rail Length

AU_FWFLRAIL50 - 800 mm

AU_FWFLRAIL80 - 1100 mm

AU_FWFLRAIL110 - 1400 mm

AU_FWFLRAIL140 - 1700 mm

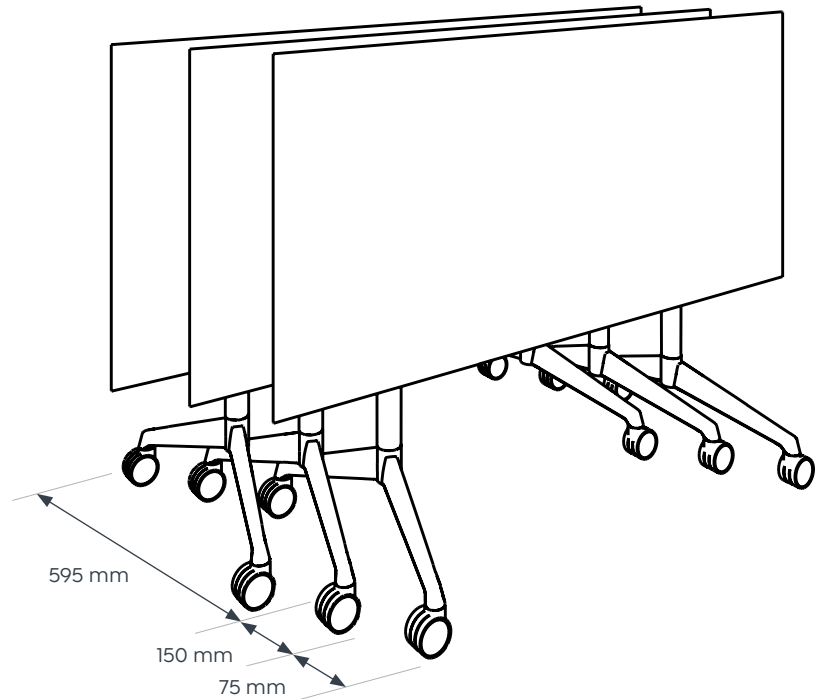
Frames Available in

1000 - 1300 mm x 600 - 900 mm

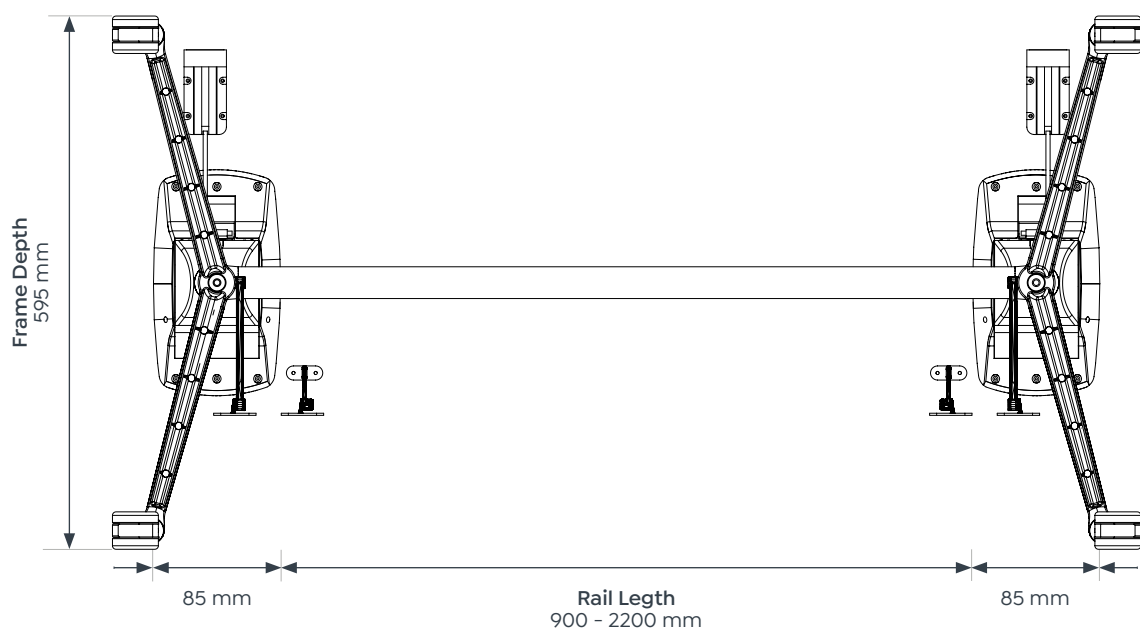
1300 - 1600 mm x 600 - 900 mm

1600 - 1900 mm x 600 - 900 mm

1900 - 2400 mm x 600 - 900 mm



Modulus Flip Line Drawing (Frame Only)



Modulus Table Range.

Dimensions

Modulus Single Post - Fixed Leg

